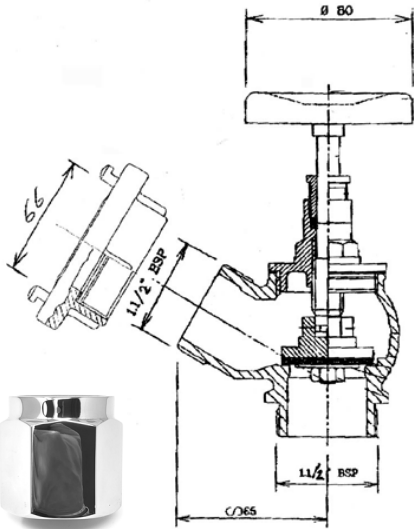




Valves for Fire Fighting



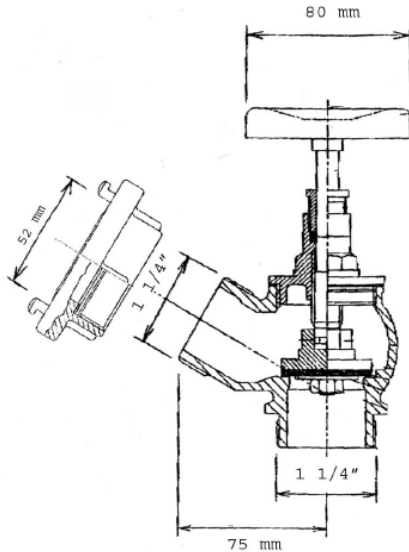
#91.778 Valve + 1 1/2" with N=66 Storz Coupling and Dust cap Steel powder coated turning wheel Thread: 1 1/2" BSP. Valve chrome over brass



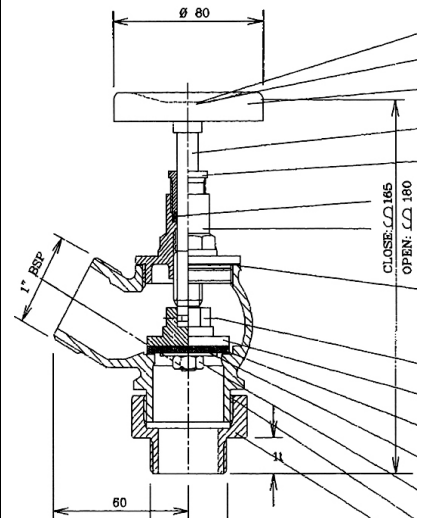
91.CSL female/female adapter 1 1/2" BSP to NPS



#91.778 Valve 1/4" showing with Storz coupling and dust cap N=52 Steel powder coated turning wheel Thread: 1 1/4" BSP. Valve chrome plated brass

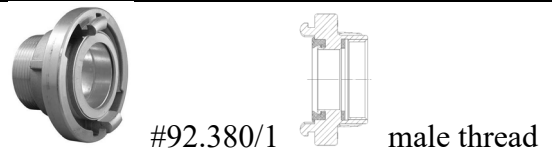


#91.778 Valve 1 inch showing with Stainless Steel Camlock Coupling & cap Steel powder coated turning wheel Thread: 1" BSP. Valve chrome plated brass

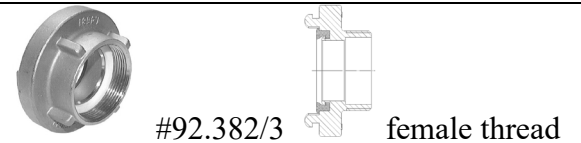


Adapters, Couplings

#92.380 Storz coupling male N=52
#92.381 Storz coupling male N=66
Please specify thread and base material (Brass or Aluminum)



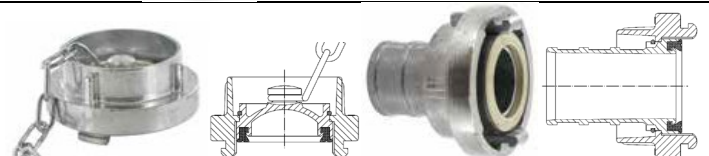
#92.382 Storz coupling female N=52
#92.383 Storz coupling female N=66
Please specify thread and base material (Brass or Aluminum)



91.CSL female/female adapter from 1 1/2" BSP to NPS 1 1/2" Chrome plated brass



#91.052 Dustcover Storz N-52 (Brass or Aluminum)
#91.066 Dustcover Storz N-66 (Brass or Aluminum)
#91.1431 Storz coupling w. hose barb N-52 to 1/2" hose
#91.1436 Storz coupling w. hose barb N-66 to 1/2" hose





Coast Guard Approved Firefighting Nozzles – Water and AFFF only
Coast Guard Approved AFFF/water Fog Nozzle with horseshoe handle and pistol grip



91.150 Nozzle with horseshoe handle
Dimensions:
Long: 8 3/4" X High 10 3/4"
Weight: 9 lbs
Operating pressure: up to 100 PSI.
Thread: US NPS female 1.75" -9
Combination Fog and Straight Stream
Constant gallonage for either pattern
Chrome Plated Brass



#91.151 Nozzle with Pistol Grip
Dimensions:
Long: 8 3/4" X High 10 3/4"
Weight 14.5 lbs.
Operating pressure: up to 100 PSI.
Thread: US NPS female 1.75" -9
Combination Fog and Straight Stream
Constant gallonage for either pattern
Chrome Plated Brass



#91.151 Nozzle with Piston Grip
#91.380 Storz N=52 coupling
#92.381 Storz N=66 coupling
Dimensions: 8 3/4" X High 10 3/4"
Weight 14.5 lbs.
Storz Coupling weight:
(2 lbs. brass chrome; 0.5 lbs. aluminum)
Operating pressure: up to 100 PSI.
Thread: US NPS female 1.75" -9
To: US NPT 1 1/2" storz coupling

- AFFF - Aqueous Film Forming Foam / Water Fog Nozzle
- Corrosion Resisted Brass Construction - Optional chrome plated:
 - Zytel (nylon) horse handle
 - Flush without shutting down
- Constant Gallonage in all fog and straight stream pattern
 - Rubber like bumper and handle for added protection
 - Double row of molded teeth for excellent fog pattern
 - Combination fog and straight stream
 - Operating pressure up to 100 PSI /
- Option: 1 1/2 Storz fire hose coupling and 1 1/2 hose 18 meter / 59 feet

Size	Thread	Description	Fog Flow @100 PSI	Orifice	Length	Weight	Approval #
1 1/2"	NST(NH)	nozzle	95 GPM	5/8"	10 1/4"	9 lbs.	162.027/13/0
1 1/2"	NST(NH)	nozzle w/pistol grip	95 GPM	15/16"	11 1/2"	14.5 lbs.	162.027/11/0

Use Nozzles with these hoses and valves and container for 59 feet / 18 meter



#91.707 hose 18 m 1 1/2 inch diameter
with Aluminum Storz couplings N=66



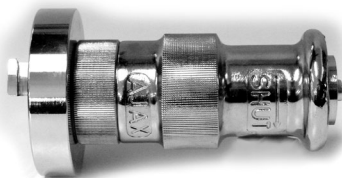
#91.778 Valve 1 1/2"
with Storz couplings and cap N



#91.727 Red Container for 18 meter 1 1/2" hose
Aluminum fire hose container
Details page 9-1-3

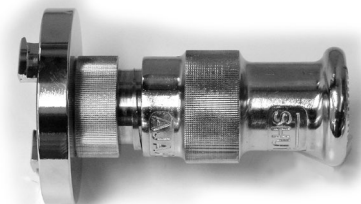
Ajax Nozzle #91.717

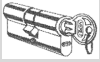
with Storz coupling N-52
Used with 1 1/4 inch ID
firefighting systems
Chrome Plated Brass



Ajax Nozzle #91.718

with Storz coupling N66
Used with 1 1/2 inch ID
firefighting systems
Chrome Plated Brass



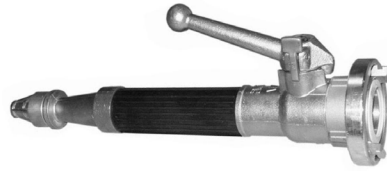


Light Weight Fire Fighting Nozzle

91.521 Lightweight Nozzle.
Aluminum with Polyamide grip.
Couplings sold separate
Nozzle opening: 12 mm diameter.
Flow diameter: 30 mm



#92.521 Nozzle with Ball valve .
Showing with Storz Coupling N=66
Lever operated Blast/Closed/Misting.
Operating pressure: up to 16 bar
Thread: Male 2 1/4 US NPS -11
Size: 380 mm long x 140 mm 15 x 5 1/2 inch.
Weight 2.5 lbs. with alu Storz coupling



#92.521 Nozzle with Ball valve
Showing with Storz Coupling N=66
Lever operated Blast/Closed/Misting.
Operating pressure: up to 16 bar
Size: 380 mm long x 140 mm 15 x 5 1/2 inch.
Weight 2.86 lbs. with alu. Storz coupling
#91.380 Storz N=52 coupling
#92.381 Storz N=66 coupling
(Weighs 2 lbs. brass; 0.5 lbs. aluminum)



#91.521 Nozzle w. reduction bushing
Showing with adapter to ISO -4 thread
Lever operated Blast/Closed/Misting.
Operating pressure: up to 16 bar
Size: 380 mm long x 140 mm 15 x 5 1/2 inch.
Weight 2.5 lbs. with aluminum adapter

Adapters, Couplings



92.787 female/female adapter
ISO 2 1/4" -4 to US 2 1/4" NPS-11
Reduction bushing aluminum



#92.381 Storz coupling N=66
male thread (specify)
Storz coupling aluminum



#92.382 N-66
2 1/4" Female thread (specify)
Storz coupling aluminum

Fire Hoses, Containers



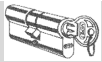
#91.707 Fire Hose with Storz couplings
Standard length: 18 meters or 59 feet
Will fit in container #91.727
Woven NITRIL PVC pinned hose
Work Pressure: 17 bar (break force 50 bar)
Fire Code Rated: NEN-EN14540
#91.715 fire hose non rated



#91.728 Fire Hose container (Made from 1/8 inch Fiberglass for max. 18 meter fire hose; Equipped with stainless steel hinges and lockable stainless steel hasp.
Outside dimension: 457 x 558 x 187 mm (18" x 22" x 7 3/8").



#91.727 Fire Hose container
Made from fire red coated aluminum
#91.707 set 18 meter fire hose will fit.
Outside dimension: 350 x 330 x 80 mm (13 3/4" x 13" x 3 1/8").



Fire Hoses, Containers



#91.707 Fire Hose with Storz couplings N-66 or N-52

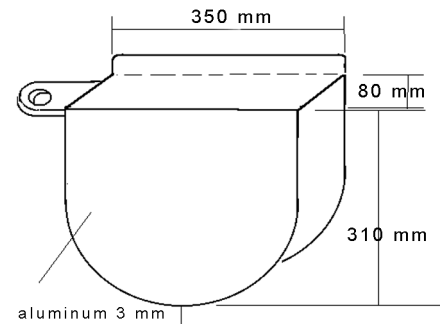
Standard length: 18 meters or 59 feet
 Will fit in container #91.727
 Woven NITRIL PVC pinned hose
 Work Pressure: 17 bar (break force 50 bar)
 Fire Code Rated: NEN-EN14540
 Only in Red and Blue available.

#91.715 fire hose non rated.
 In white as in picture.



#91.728 Fire Hose container (Made from 1/8 inch Fiberglass for max. 18 meter fire hose; Equipped with stainless steel hinges and lockable stainless steel hasp. Outside dimension: 457 x 558 x 187 mm (18" x 22" x 7" 3/8").

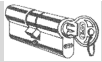
Other sizes are available:
 600 x 500 x 180 mm (740 x 760 x 180 mm (



#91.727 Fire Hose container
 Made from fire red coated aluminum
 #91.707 hose set 18 meter will fit.
 Outside dimension:
 350 x 330 x 80 mm (13 3/4" x 13" x 3 1/8").

Adapters, Couplings

<p>#92.380 Storz coupling male N=52 #92.381 Storz coupling male N=66 Please specify thread and base material (Brass or Aluminum)</p>	  <p>#92.380/1 male thread</p>
<p>#92.382 Storz coupling female N=52 #92.383 Storz coupling female N=66 Please specify thread and base material (Brass or Aluminum)</p>	  <p>#92.382/3 female thread</p>
<p># 91.CSL female/female adapter from 1 1/2" BSP to NPS 1 1/2" Chrome plated brass</p>	 <p>#91.CSL</p>
<p>#91.052 Dustcover Storz N-52 (Brass or Aluminum) #91.066 Dustcover Storz N-66 (Brass or Aluminum) #91.1431 Storz coupling w. hose barb N-52 to 1 1/2" hose #91.1436 Storz coupling w. hose barb N-66 to 1 1/2" hose</p>	   



Flange Mounted Valves with Storz Couplings

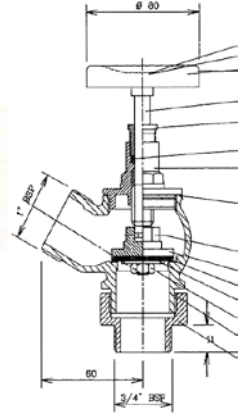
<p>#91.54091 Size 1 inch: A = 50 C = 115 D = 160/180</p> <p>#91.54092 Size 1 1/2 inch: A = 70 C = 150 D = 175/195</p> <p>#91.54093 Size 2 inch: A = 85 C = 165 D = 195/210 E = 66 Storz Coupling</p> <p>#91.54094 Size 2 1/2 inch: A = 85 C = 165 D = 240/265 E = 81 Storz coupling</p> <p>All Models: Black steel powdercoated wheel</p>	<p>90 degree model with DIN flange</p>	<p>*</p> <p>*Actual part has black steel powdercoated wheel Picture may not show actual part</p>
<p>#91.53171 Size 1 inch: A = 70 C = 115 D = 155/170</p> <p>#91.53172 Size 1 1/4 inch: A = 75 C = 140 D = 160/175</p> <p>#91.53173 Size 1 1/2 inch: A = 88 C = 150 D = 175/195 E = 66 Storz Coupling</p> <p>#91.53174 Size 2 inch: A = 100 C = 165 D = 185/205 E = 66 Storz coupling</p> <p>#91.53175 Size 2 1/2 inch: A = 120 C = 185 D = 225/260</p> <p>All Models: Black steel powdercoated wheel</p>	<p>60 degree model with DIN flange</p>	<p>*</p> <p>*Actual part has black steel powdercoated wheel Picture may not show actual part I</p>
<p>#91.54881 Size 1 inch: A = 106 C = 115 D = 125/150</p> <p>#91.54882 Size 1 1/4 inch: A = 115 C = 140 D = 130/150</p> <p>#91.54883 Size 1 1/2 inch: A = 125 C = 150 D = 130/150 E = 66 Storz Coupling</p> <p>#91.54884 Size 2 inch: A = 155 C = 165 D = 160/180 E = 66 Storz coupling</p> <p>#91.54885 Size 2 1/2 inch: A = 180 C = 185 D = 250/290</p> <p>All Models: Black steel powdercoated wheel</p>	<p>Straight model with DIN flange</p>	<p>*</p> <p>*Actual part has black steel powdercoated wheel Picture may not show actual part</p>
<p>#92.380 Storz coupling male N=52 #92.381 Storz coupling male N=66 Please specify thread and base material (Brass or Aluminum)</p>	<p>#92.380/1 male thread</p>	
<p>#92.382 Storz coupling female N=52 #92.383 Storz coupling female N=66 Please specify thread and base material (Brass or Aluminum)</p>	<p>#92.382/3 female thread</p>	
<p>#91.052 Dustcover Storz N-52 (Brass or Aluminum) #91.066 Dustcover Storz N-66 (Brass or Aluminum)</p> <p>#91.1431 Storz coupling w. hose barb N-52 to 1 1/2" hose #91.1436 Storz coupling w. hose barb N-66 to 1 1/2" hose</p>		



• WASH DOWN EQUIPMENT

- Polished chrome plated brass valve
- Black polypropolene couplings
- HFBW / FDA Grade hose

Hydrant (valve 1") #91.075
 connection 45 degree up angle
 1" diameter
 Supplied with camlock fitting
 Red powder coated wheel



#91.075 Hydrant / Valve 1 inch. Polished chrome plated brass. Red powder coated steel wheel; showing with stainless steel dustcap set #91.DC075 drawing on page #9-1-3-A

Nozzle #91.1030
 nozzle, adjustable from (A) closed/open, (B) to fog, (C) to straight stream.
 Nozzle from red polycarbonate with bumper, steel inner stem.
 For use up to 100 psi @ 8 Gallon per min.
 Nozzles from other materials available on request.



#91.1030 nozzle, adjustable from (A) closed/open, (B) to fog, (C) to straight stream. Nozzle from red polycarbonate with bumper, steel inner stem. For use up to 100 psi @ 8 Gallon per minute. Nozzles from other materials available.

Hose #91.H075
 Hose HFHG / FDA Grade 3/4" ID
 Ozone and Abrasive Resistant. 250 PSI.



Oversight picture: Quick release coupling female/female; Hose shank; Hose; Hose shank: Quick release coupling female/male; Nozzle

Coupling male #91.MC075
 Coupling 3/4 inch male thread; polypropolene; ; stainless steel cams also available in stainless steel, aluminum, brass. Fits nozzle



#91.MC075 Coupling 3/4 inch male thread; polypropolene; ; stainless steel cams also available in stainless steel, aluminum, brass. Fits nozzle

Coupling female #91.FC075
 N Coupling 3/4 inch female thread; polypropolene; ; stainless steel cams also available in stainless steel, aluminum, brass. fits valve / hydrant



#91.FC075 Coupling 3/4 inch female thread; polypropolene; ; stainless steel cams also available in stainless steel, aluminum, brass. Fits valve / hydrant

Dust cap #91.DC075
 Dustcap 3/4 inch; polypropolene; stainless steel cams Fits couplings on hose



#91.DC075 Dustcap 3/4 inch; polypropolene; stainless steel cams; Fits couplings on hose

Dust plug #91.DP075
 Dust plug 3/4 inch; polypropolene, stainless steel ring
 Fits coupling on hydrant



#91.DP075; Dust plug 3/4 inch; polypropolene, stainless steel ring; Fits coupling on hydrant

Hose shanks #91.HS075
 #91.HS075 Hose shank 3/4 inch; polypropolene



#91.HS075 Hose shank 3/4 inch; polypropolene